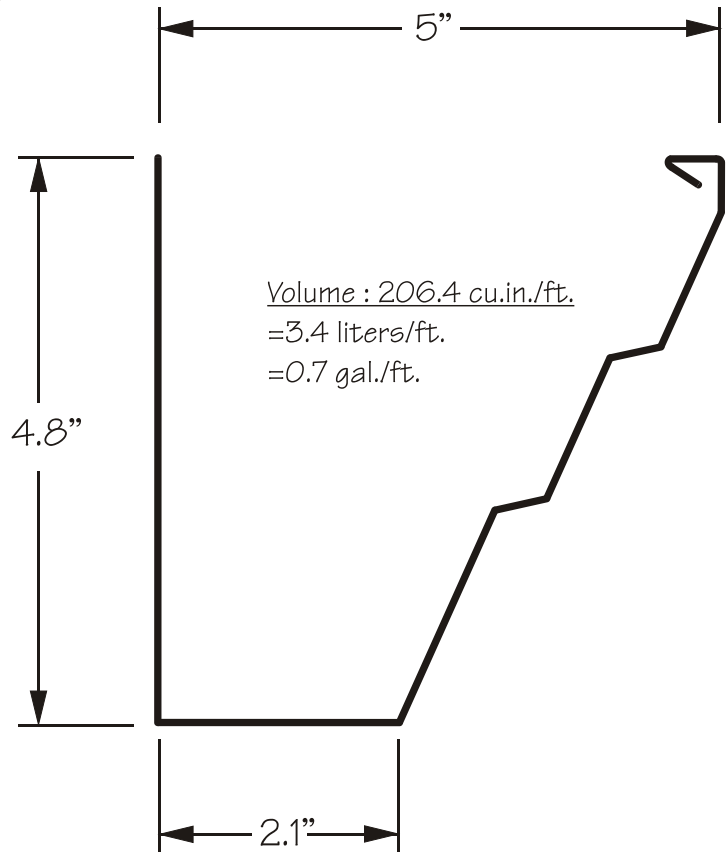
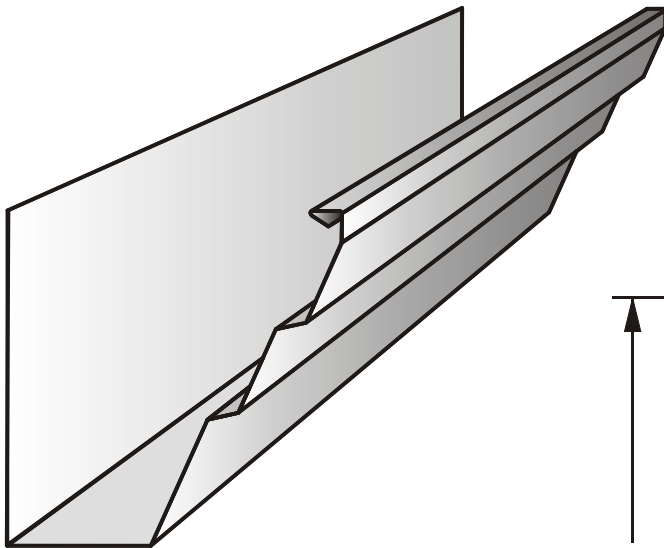


2Step Fascia

The deep back design allows this gutter to replace the fascia board on new homes, and can add a contemporary look to homes with 2x8 or larger fascia boards.



Colors

- Bright White
- Almond
- Dover Gray
- Canyon Clay
- Wicker
- Slate
- Wedgewood Blue
- Ivy Green
- Wood Pine Green
- Forest Green
- Black
- Nutmeg Brown
- Cashmere
- Burgundy
- Old World Blue
- Tan
- Pebble

Hangers - Extruded aluminum spaced 18" o.c.

Fasteners - #10 zinc plated deep thread.

Exposed screws - Stainless Steel

Sealant - One part elastomeric or polyurethane

Outlets - 2" round, 2x3 aluminum flush style.

Coil - .025" aluminum baked enamel finish.