



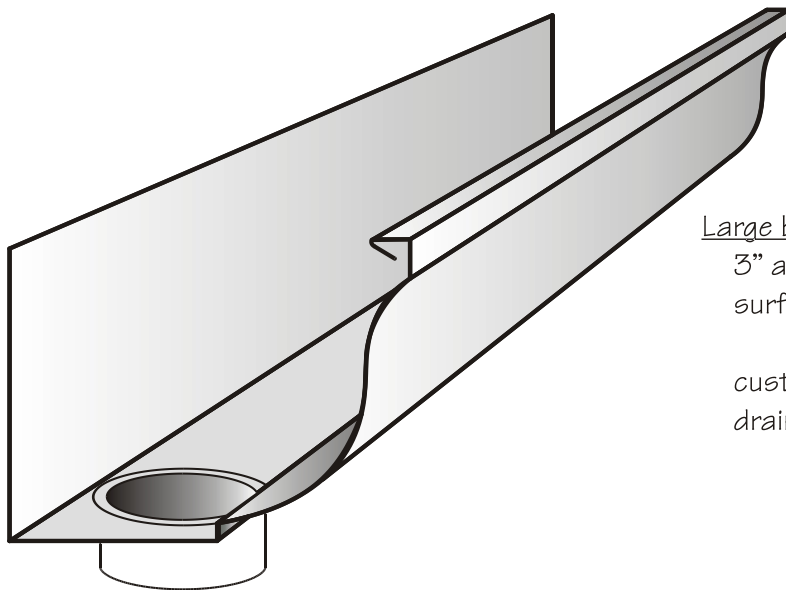
6" Colonial

The largest capacity gutter available in continuous lengths.

This Commercial grade gutter is the answer to large roof areas, or where a concentration of water requires higher volume flow.

Suitable on large boards or installed as a fascia gutter over 2x4 or rafter tails, this style is finding applications from industry to fine homes, and everything between.

Available in limited colors of .032" aluminum, or 24 ga. Steel for high strength applications.

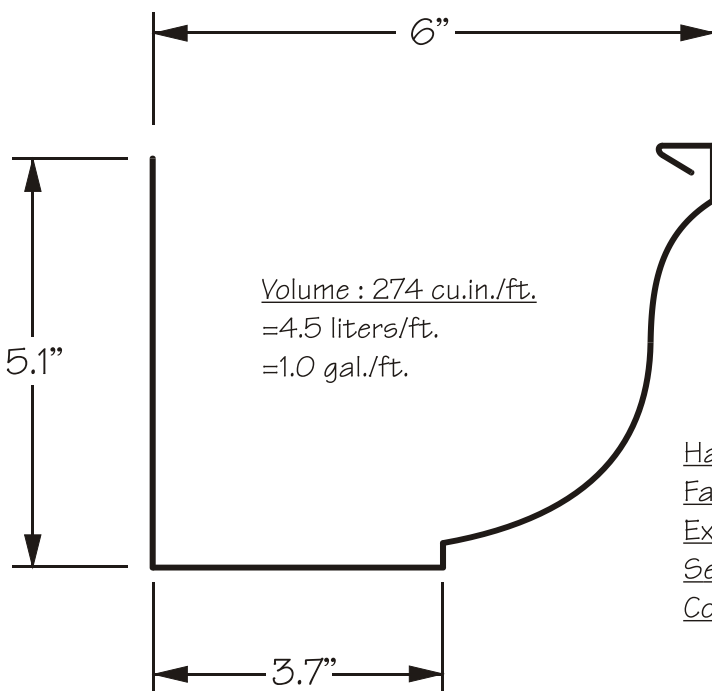


Large base allows for full size outlet.

3" aluminum Flush style for surface drains and Leaf Trap installations.

or

custom funnel or "K" Style outlet for greater drainage.



Hangers - Extruded aluminum spaced 18" o.c.

Fasteners - #10 zinc plated deep thread.

Exposed screws - Stainless Steel

Sealant - One part elastomeric or polyurethane

Coil - .032" aluminum baked enamel finish.

- .025" *steel baked enamel finish

*(limited colors)