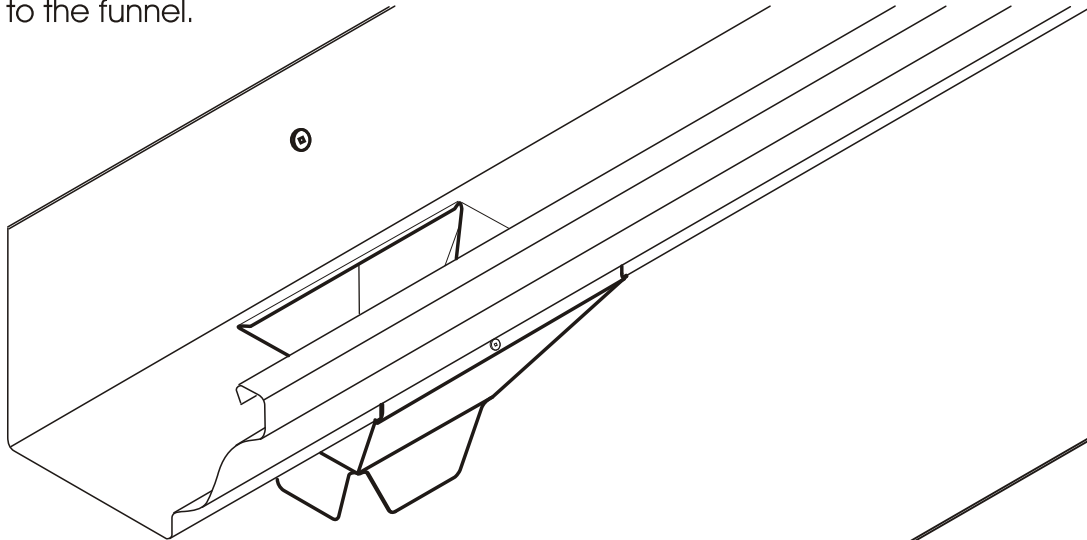




K-Funnel

Outlets at downpipe connections can be problematic as they easily dam with debris causing gutters to overflow.

The K-Funnel is ideal for enlarging outlets on existing gutters without the need to lower the downpipe as required on large funnels. The top elbow is trimmed 2" and fastened to the funnel.



Installing to existing gutters

Detach the downpipe from the outlet and remove the old outlet.

Tip the gutter up slightly to slide the funnel up behind the gutter, centered on the outlet.

Draw a light pencil line on the gutter bottom on each side of the funnel. Set funnel aside.

Create a flap each side of the original hole by cutting inside of the front and rear lower edges to within $\frac{1}{4}$ of an inch of the line.

Bend down each flap to about a 45 degree angle. Trim off sharp points.

Slide the funnel back into place, push up so it is firmly in place.

Install one screw through the back of the gutter, centered in the opening, near the top of the back panel of the funnel.

Install one stainless screw or rivet through the center of the top front face of the funnel and into the gutter to affix the front of the funnel.

Cut 2 inches off the top of the elbow or pipe that was attached to the outlet. Attach pipe to funnel using a $\frac{1}{2}$ inch stainless steel screw.

