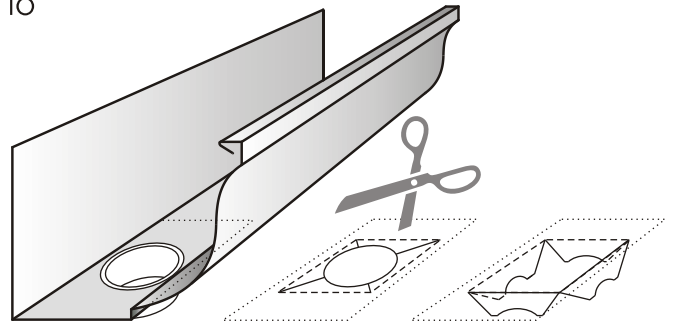


## Leaf Catcher

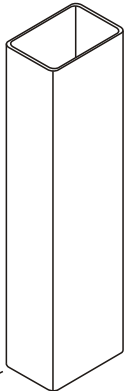
The Leaf Catcher was designed to protect ground drains by filtering out small debris, helping to prevent expensive repairs.

The self cleaning design is attractive and installs to existing downpipes.



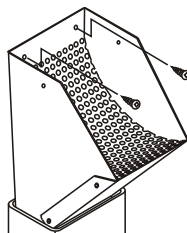
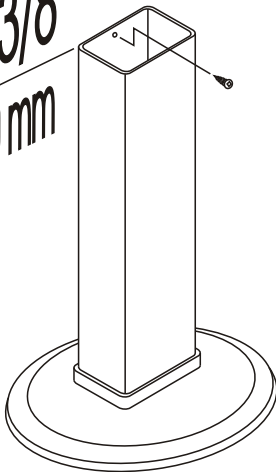
Remove pipe strainer at outlet, or replace existing vinyl outlet with flush style, funnel, or enlarge as shown.

1

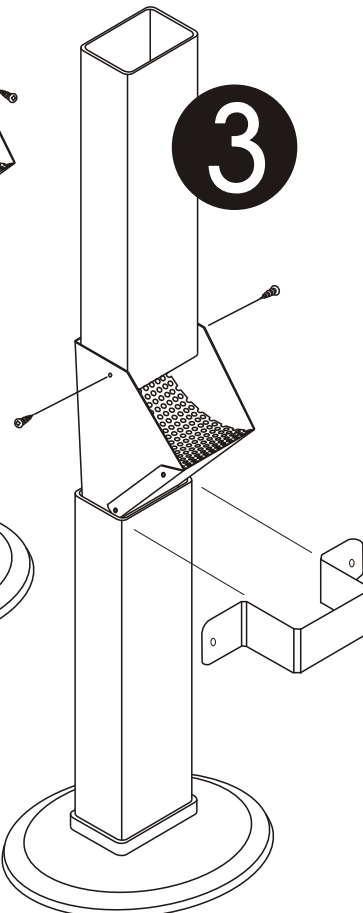


4-3/8"  
110 mm

2



3



Install Leaf Catcher up to 24" above ground level, or flush with drain as shown.

Strap kicker to wall