

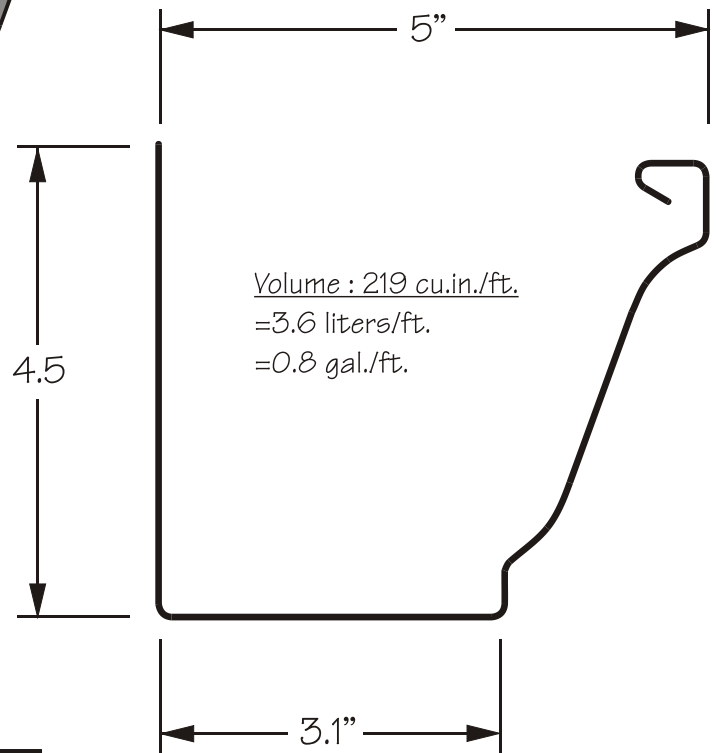
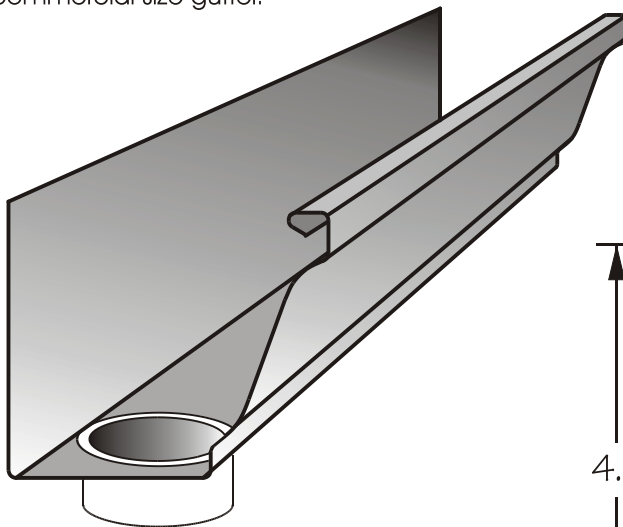
PRECISIONGUTTERS LTD.

#7, 9515-190th Street, Surrey BC V4N 3S1

Tel (604)888-5112 Fax (604)888-5143 email; sales@precisiongutters.com www.precisiongutters.com

Super 5

Hybrid of the 5" and 6" Colonial style, the super five is fast becoming the standard for fascia gutter. The deep profile carries large volumes of water and provides a wider bottom allowing for a full sized outlet. This gutter looks great on boards larger than 2x8 and fulfils the performance without the expense of a commercial size gutter.



Large base allows for full size outlet.

2-3/4" aluminum Flush style for
surface drains and Leaf Trap installations.
or

2-1/2" Vinyl outlet c/w attached strainer.



Hangers - Extruded aluminum spaced 18" o.c.

Fasteners - #10 zinc plated deep thread.

Exposed screws - Stainless Steel

Sealant - One part elastomeric or polyurethane

Coil - .025" aluminum baked enamel finish.